

Hydraulic Rock Drill





Drilling Diameter 65 ~ 102 mm (2 1/2" ~ 4")
Drifter 19kw
Air Flushing 5.7 m³ / min

JD-800



Drilling Diameter 65 ~ 102 mm (2 1/2" ~ 4")
Drifter 19kw
Air Flushing 5.7 m³ / min

JD-800E





Drilling Diameter 76 ~ 115 mm (3" ~ 4 1/2")

Drifter 20kw

Air Flushing 7.8 m³ / min

JD-1300E



Drilling Diameter 102 ~ 150 mm (4" ~ 6 1/2")

Drifter 25kw

Air Flushing 13.9 m³ / min

JD-1500E

With the power of global technology improving, JUNJINCSM will be always be there for you.



Safe Cabin

Meets ROPS/FOPS criteria to provide a safe working environment. Multiple glass windows provide excellent visibility for drilling and operation.



Highly Efficient Water Cooled Engine/Spacious Engine Compartment

The selected CUMMINS is water cooled and turbo charged engine with easy access for any required maintenance.



Comfortable Operating Cab

The air bellow type seat and position adjustment allows operators comfort. Heat and air conditioning is standard and provide a comfortable working environment.

The drilling operation is easy and simple with pilot hydraulic control type. By applying fully hydraulic for main function, there is no electronic trouble.



Pre-Cleaner for Dust Collector

Pre-Cleaner affords efficient dust collection and coarse separation. While improving the life cycle of the dust collector filters. (Option)

Outstanding Gradeability

The optimal combination of a variable piston pump & tramming motor assures powerful operation and excellent mobility in difficult terrains.



Auto Rod Changer

A simple and reliable linear chain driven rod changer offers trouble free operation in the cabin.



Sliding Type Dust Hood

Allows the operator visibility to start properly and see the collar of the borehole while drilling



Centralized Electric Control Panel

Allows for easy electrical checking and maintenance.



Powerful Dust Collector

The strong suction power of dust collector allows to work without dust. Air pulsing system prevent filters from dust clogging.



Oscillation

Independent track oscillation provides safe, smooth and efficient mobility in rough terrain.

Powerful Drifter provides excellent penetration, Straight drilling hole for customer's productivity.

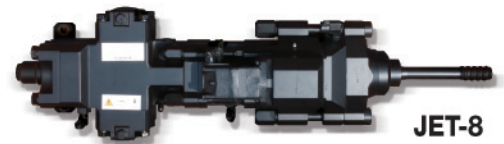
It offers fast and straight hole in addition, increases the durability of drifter parts by damping system.

Powerful Hydraulic Drifter

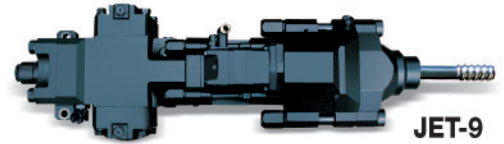
Optimum design of the drifter provides high penetration rates of energy in conjunction with maximum drilling economy.

Model		JD-800	JD-800E	JD-1300E	JD-1500E
JET-8	Application Model	●	●		
	Hole Range	φ 65 mm ◀────────────────▶ φ 105 mm			
YH-70 (Option)	Application Model	●	●		
	Hole Range	φ 65 mm ◀────────────────▶ φ 105 mm			
JET-9	Application Model			●	
	Hole Range	φ 76 mm ◀────────────────▶ φ 115 mm			
YH-80 (Option)	Application Model			●	
	Hole Range	φ 76 mm ◀────────────────▶ φ 115 mm			
YH-200	Application Model				●
	Hole Range	φ 102 mm ◀────────────────▶ φ 150 mm			

JUNJIN Drifter

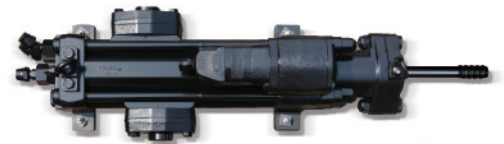


JET-8



JET-9

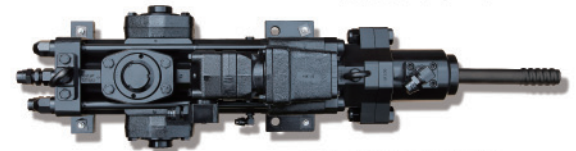
YAMAMOTO Drifter



YH-70 (Option)

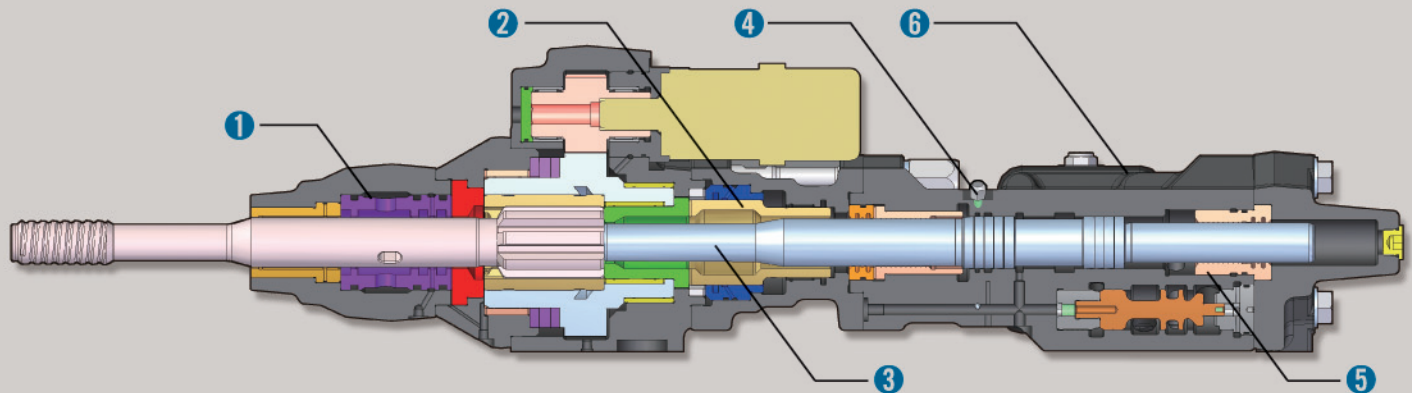


YH-80 (Option)



YH-200 (Standard)

• The Structure of JET-8



1. Air / Water Combined Flushing Head

Dual safety seal enables under 14bar of water flushing.

2. Hydraulic Damper

This dampening feature protects the drifter, guide shell and boom from damage by absorbing the return shocks and energy that is created by the impact of percussion.

3. Thin and Long Shaped Piston

This design delivers more efficient power to the drill steel which increases productivity since more power reaches the rock.

4. Percussion Adjuster

This adjustment feature increases drilling efficiency and reduces hose vibration by allowing the driller to balance the "Beat Per Minute" [BPM] with the geological properties of the rock.

5. Front / Rear Bushing and Seal Retainer

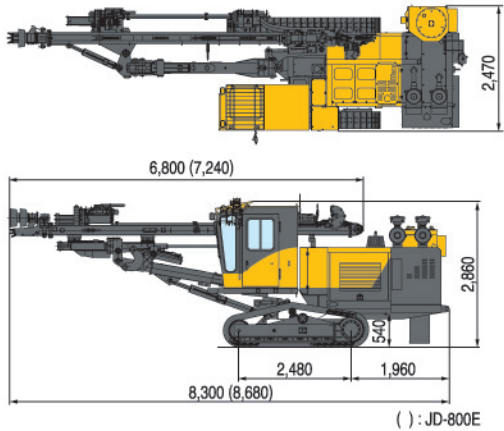
The front and rear bushings along with the seal retainer extends the wear life of the piston by protecting it within the cylinder. This ultimately reduces the expense of rebuilding the hammer.

6. Large Capacity of Accumulator

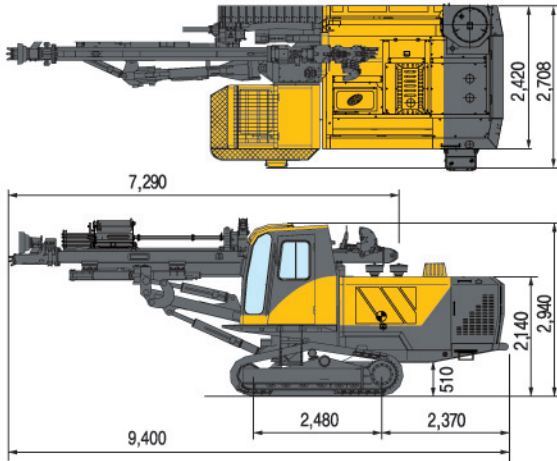
The design of the accumulators optimize the flow of oil while maximizing capacity. This generates a smooth percussion system of operation and extends the life of the diaphragm.

JUNJINCSM Hydraulic Rock Drill

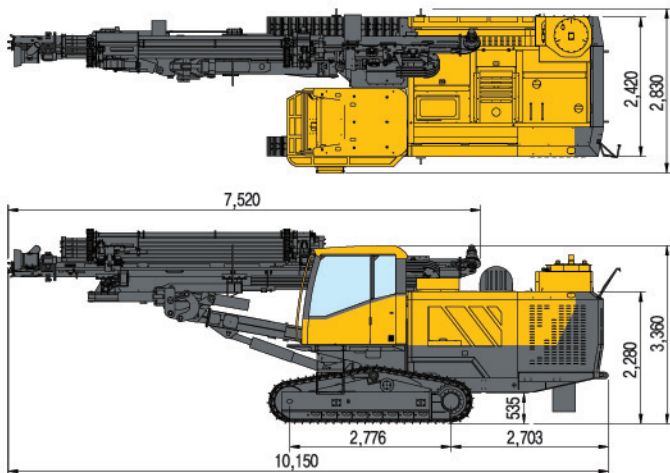
JD-800 / JD-800E



JD-1300E



JD-1500E



GENERAL SPECIFICATION		JD-800	JD-800E	JD-1300E	JD-1500E
Gross Weight	kg	10,900	11,900	14,700	17,500
Overall Length	mm	8,300	8,680	9,400	10,150
Overall Width	mm	2,470	2,470	2,420 (2,708)	2,420 (2,830)
Overall Height	mm	2,860	2,860	2,940	3,360

PERFORMANCE

Hole Range	mm	φ 65 ~ φ 102	φ 65 ~ φ 102	φ 76 ~ φ 115	φ 102 ~ φ 150
Drilling Depth	m	15	18	25	25
Gradeability	°	30	30	28	30
Traveling Speed	km / hr	0 ~ 3.8	0 ~ 3.8	0 ~ 3.3	0 ~ 3.6

DIESEL ENGINE

Model (CUMMINS)	-	B5.9-C	B5.9-C	CTAA8.3-C	QSL9
Rated Output	hp(kw)/rpm	156(116)/2,200	156(116)/2,200	205(153)/2,200	325/2,100

AIR COMPRESSOR

Working Pressure	kg / cm ²	10.5	10.5	10.5	10.5
Free Air Delivery	m ³ / min	5.3	5.3	7.8	13.9
Tank Capacity	m ³	0.045	0.045	0.051	0.1

DRIFTER

Model	-	JET-8	JET-9	YH-200
Impact Power	hp (kw)	25 (19)	26.8 (20)	32.9 (25)
Impact Pressure	kg / cm ²	max. 150	max. 150	max. 140
Rotation	rpm	max. 190	max. 180	max. 120
Rotation Pressure	kg / cm ²	max. 130	max. 140	max. 140
Weight	kg	270	270	305
Number of Blows	bpm	2,000 ~ 3,000	2,100 ~ 3,000	2,100 ~ 3,000

DUST COLLECTOR

Air Pressure	mmAq	550	550	550	550
Suction Capacity	m ³ / min	24	24	24	40
Number of Filters	ea	4	4	4	6

BIT & ROD

Rod Length	mm	3,050 (3,660)	3,660 (3,050)	3,660	4,270 (3,660)
Bit Dia.	mm	φ 65 ~ φ 102	φ 65 ~ φ 102	φ 76 ~ φ 115	φ 102 ~ φ 150
Thread	-	T38 (T45)	T45 (T38)	T51 (T45)	RG60

HYD. PUMP

Variable Piston Pump + Gear Pump

GUIDE SHELL

Overall Length	mm	6,800 (7,240)	7,240 (6,800)	7,290	8,118
Slide Length	mm	1,500	1,500	1,500	1,200
Feed Length	mm	3,740	4,300	4,300	5,087
Swing Angle	L / R°	65 / 50	65 / 50	90 / 30	90 / 15
Tilt Angle	°	180	180	180	158

BOOM

Overall Length	mm	2,100	2,840	3,000	3,000
Lift Angle	Up / Down°	50 / 25	50 / 15	50 / 15	50 / 18
Swing Angle	L / R°	15 / 45	10 / 35	17(25) / 35	17 / 36
Extension Length	mm	-	1,100	1,100	1,100

UNDER CARRIAGE

Length of Tumbler	mm	2,480	2,480	2,480	2,776
Shoe Width	mm	340	340	330	330
Ground Clearance	mm	540	540	530	535
Oscillation Angle	°	±11	±11	±10	±10

AUTO ROD CHANGER

Number of Rods	ea	4+1	4+1	5+1 (6+1)	5+1 (6+1)
----------------	----	-----	-----	-----------	-----------

• The above specifications can be changed without prior notice.



JUNJIN



Hydraulic



Rock



Drill



• **Head Office & Factory**

#325, Woram-ro, Eumbong-myeon, Asan-si, Chungcheongnam-do, Korea
Tel. 82-41-539-0200 / Fax. 82-41-547-0020

• **Overseas Sales Team**

Tel. 82-41-539-0205 / Fax. 82-41-539-0389
export@junjinco.com

• <http://www.junjinco.com>

